

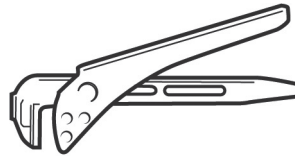
Notes

Sample test

The sample test below is for paper 6189-005, Understand and carry out site preparation, and pipework fabrication techniques for domestic plumbing and heating systems. The sample test has 30 questions – remember that the actual exam has 50 questions. The test appears first without answers, so you can use it as a mock exam. It is then repeated with answers and explanations. Finally, there is an answer key for easy reference.

Answer the questions by filling in the circle next to your chosen option.

1 What is the name of the tool shown in the diagram?



- a Basin wrench
- b 'Footprint' wrench
- c 'Stilson' wrench
- d Torque wrench.

2 Which is the most important item of PPE to wear when using a large hammer drill?

- a Dust mask
- b Hi-visibility jacket
- c Safety goggles
- d Barrier cream.

3 What is the main safety risk associated with a chisel with a 'mushroomed head'?

- a Flying steel splinters
- b Dermatitis
- c Hearing damage
- d Tool slippage.

4 Which guard is the main safety feature of a powered circular saw?

Notes

- a Chuck
- b Blade
- c Pipe
- d Fence.

5 Standard copper tube for use in domestic plumbing and heating systems is categorised as

- a R 220 soft coils
- b R 220 hard coils
- c R 250 half-hard lengths
- d R 290 hard lengths.

6 Which one of the following types of sanitary pipework material can be degraded by ultraviolet (UV) light?

- a PVC-u
- b ABS
- c MDPE
- d MuPVC.

7 Copper tube used in plumbing and heating systems is available in which one of the following outside diameters?

- a 13 mm
- b 18 mm
- c 24 mm
- d 28 mm.

8 New copper pipe should be jointed to an existing lead supply pipe using a

- a pressfit fitting
 - b capillary soldered fitting
 - c threaded adaptor fitting
 - d proprietary compression fitting.
-

Notes

9 A non-manipulative compression fitting used on copper pipe includes a

- a rubber 'o' ring
- b rubber washer
- c brass olive
- d solder ring.

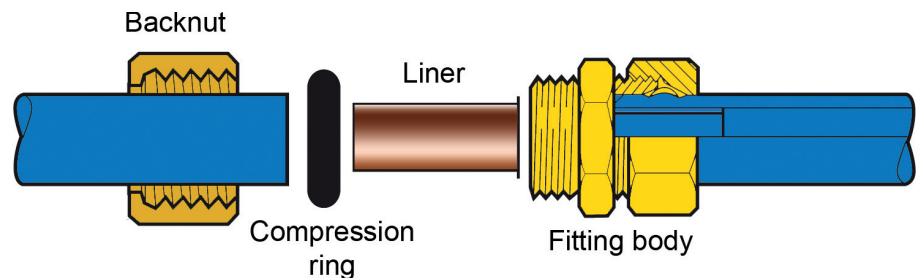
10 Multiple small-diameter pipes from radiators in a central heating system can be connected to a single central heating main pipe using a

- a reducing set
- b manifold
- c coupling set
- d hopper head.

11 What substance is used to aid the flow of solder across the surface of a pipe and the fitting being jointed?

- a Putty
- b Jointing paste
- c Silicone sealant
- d Flux.

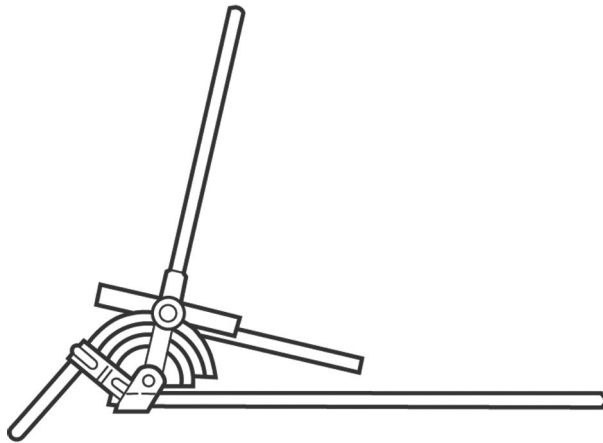
12 The fitting shown below will be used to joint which pipework material?



- a Copper hot water
- b MDPE cold water
- c PVC-u waste
- d Low carbon steel heating.

13 The bending machine shown in the following diagram is used with which type of pipework?

Notes



-
- a Copper
 - b Low-carbon steel
 - c Stainless steel
 - d Polybutylene.

14 Large-radius bends can be successfully made by hand in which one of the following types of copper tube?

-
- a R290 hard lengths
 - b R250 hard lengths
 - c R250 half-hard lengths
 - d R220 soft coils.

15 Temporary decommissioning can be described as

-
- a taking a system out of use to work on it
 - b completely removing a plumbing or heating system
 - c replacing components in a plumbing or heating system
 - d calculating the size of pipework and materials in a system.
-

Notes

16 Which one of the following must be handed over to the customer when completing plumbing or heating work?

- a Appliance manufacturer installation/operating instructions
 - b Schedule of materials for the work
 - c Planning permission application form
 - d Qualification certificates for all operatives completing the work.
-

17 When replacing plumbing components in an airing cupboard that is full of clothes, the best method of avoiding damage to the clothing is to

- a cover it with polythene sheeting
 - b ask the customer to remove it from the cupboard
 - c cover it with dust sheets
 - d check that the customer's insurance will cover any damage.
-

18 When using a blowtorch to joint capillary-soldered fittings, damage to customer property is most likely to occur due to

- a fire
 - b water
 - c toxic gas
 - d corrosion.
-

19 On a construction site, heating boilers should normally be stored in

- a the empty house being worked on
 - b an open-air compound
 - c a locked store in a compound
 - d a fully completed house.
-

20 What is the maximum diameter of hole that can be drilled in a timber first-floor joist with a depth of 150 mm?

- a 12 mm
 - b 22 mm
 - c 37 mm
 - d 57 mm.
-

21 Under the Building Regulations, what is the maximum permitted depth of vertical chase in a 100 mm deep concrete block?

- a 10 mm
- b 25 mm
- c 33 mm
- d 50 mm.

22 What is the maximum recommended clip spacing distance for horizontal runs of 15 mm polybutylene pipework?

- a 300 mm
- b 500 mm
- c 900 mm
- d 1200 mm.

23 What type of fixing is recommended to secure tongue-and-groove floor boarding that provides access to plumbing or heating pipework?

- a Nails
- b Screws
- c Rubber nut fixings
- d Coach bolts.

24 Which one of the following is used with a screw to make a fixing into a masonry wall surface?

- a Cavity fixing
- b Plastic wall plug
- c Coach bolt
- d Nail.

25 A hollow wall cavity fixing is used with which type of wall surface material?

- a Brick
 - b Concrete block
 - c Timber
 - d Plasterboard.
-

Notes