

7906-007/507 Level 2 Site Carpentry– Sample Questions

Version 1.1– September 2017

Please note this is not a complete sample theory exam, this document consists of sample questions from across the test specification.

Candidate	Name	Date	DD/MM/YY
-----------	------	------	----------

- 1 What area of welfare should be considered prior to setting up a construction site?
- a. Toilets.
 - b. Offices.
 - c. Car parks.
 - d. Rubbish bins.

Response: _____

- 2 Which building element is part of the substructure?
- a. Trussed roof.
 - b. Partition wall.
 - c. Raft foundation.
 - d. Solid ground floor.

Response: _____

3 What is the face of a brick called?

- a. Cross.
- b. Header.
- c. Perpend.
- d. Stretcher.

Response: _____

4 What role does the purlin play in traditional roof construction?

- a. Acts as a spine at the apex.
- b. Forms the shape of the roof.
- c. Protects the end of the roof timbers.
- d. Supports the rafters at midway point.

Response: _____

5 Why should a schedule be used when programming works?

- a. To provide details of the costs of materials and services needed to complete works.
- b. To manage the expected and actual timescales for completion of works.
- c. To communicate the amount of significant work and materials needed to complete works.
- d. To calculate the estimated labour costs of completing the works.

Response: _____

6 What is the most likely purpose of providing a secure perimeter around a construction site?

- a. To keep workers from leaving the site during scheduled work time.
- b. To ensure that the site is not accessed by unauthorised persons.
- c. To reduce noise from impacting the surrounding environment.
- d. To prevent rubbish from polluting the neighbouring areas.

Response: _____

7 What term is given to the vertical components of a panelled door?

- a. Jambs.
- b. Studs.
- c. Stiles.
- d. Mullion.

Response: _____

8 What type of hinge will allow a door to clear minor irregularities in floor levels?

- a. Backflap.
- b. Parliament.
- c. Broad butt.
- d. Rising butt.

Response: _____

9 What tool is shown in Figure 1?

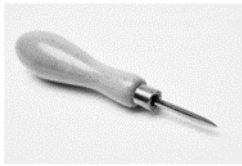


Figure 1

- a. Pin push
- b. Bradawl.
- c. Nail punch.
- d. Marking awl.

Response: _____

10 What moulding shape is shown in Figure 2?

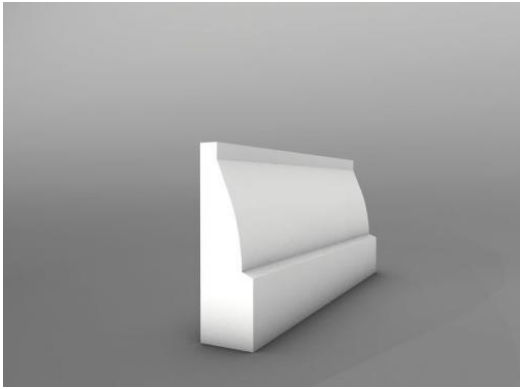


Figure 2

- a. Torus.
- b. Ovolo.
- c. Bullnose.
- d. Splayed.

Response: _____

11 Which tool will best produce a straight line to fix a wall handrail over a staircase?

- a. Spirit level.
- b. Chalk line.
- c. Plumb line.
- d. Tape measure.

Response: _____

12 What type of nails would be used in conjunction with a nail gun when fixing thin encasement material to a timber background?

- a. Oval.
- b. Brad.
- c. Ring shank.
- d. Lost head.

Response: _____

13 What name is given to a free standing kitchen unit?

- a. Base.
- b. Tower.
- c. Island.
- d. Appliance.

Response: _____

- 14 What power tool will give the cleanest cut when cutting hob apertures in a post formed kitchen worktop?
- a. Router.
 - b. Jigsaw.
 - c. Circular saw.
 - d. Angle grinder.

Response: _____

- 15 Why is a scribe used for the internal joints of skirting boards?
- a. To be able to carry out the work without a chopsaw.
 - b. To ensure the efficient use of materials.
 - c. To provide a good key for filler.
 - d. To minimise the effect of shrinkage.

Response: _____

- 16 How is the noise caused by water running through pipes minimised in service encasements?
- a. By using plastic pipework.
 - b. By packing the void with mineral wool.
 - c. By using two thickness of plasterboard.
 - d. By screwing the plasterboard to the framework.

Response: _____

- 17 What type of manufactured board is most suitable to cover a service encasement in a bathroom?
- a. WBP grade ply.
 - b. Interior grade ply.
 - c. Oil tempered hardboard.
 - d. Melamine faced chipboard.

Response: _____

- 18 Why are the backs of kitchen units set back to create a void behind the unit?
- a. To allow for ventilation.
 - b. To allow for buried services.
 - c. To allow for surface service runs.
 - d. To allow for skirting board clearance.

Response: _____

- 19 What legislation specifically covers the use of a fixed circular saw?
- a. COSHH.
 - b. PUWER.
 - c. RIDDOR.
 - d. WAHR.

Response: _____

- 20 Which numbered part in Figure 3 is the crown guard?

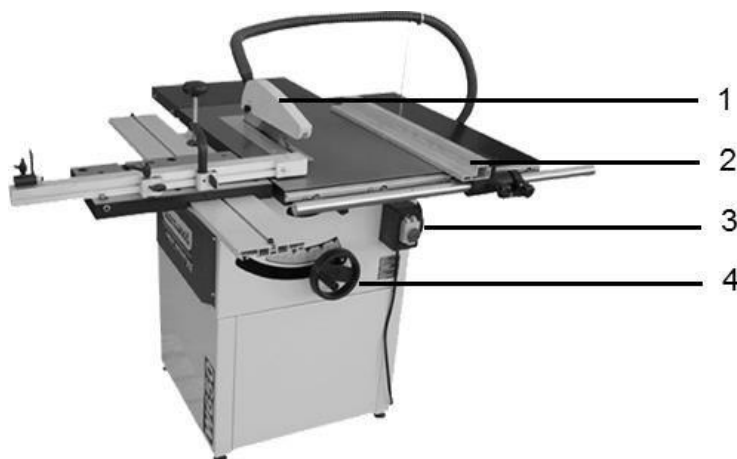


Figure 3

- a. 1
- b. 2
- c. 3
- d. 4

Response: _____

21 What is the circular saw component shown in Figure 4?

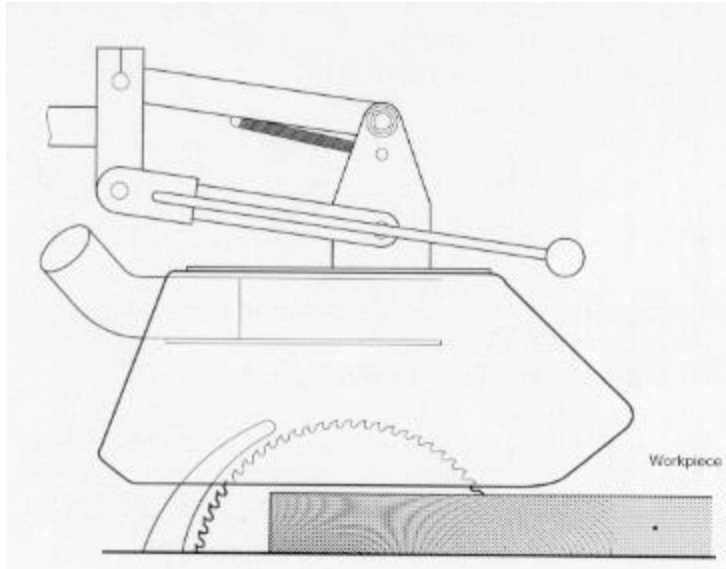


Figure 4

- a. Crown guard.
- b. Riving knife.
- c. Nosing guard.
- d. Adjustable fence.

Response: _____

22 Which of the conversion methods shown in Figure 5 wastes the least timber?

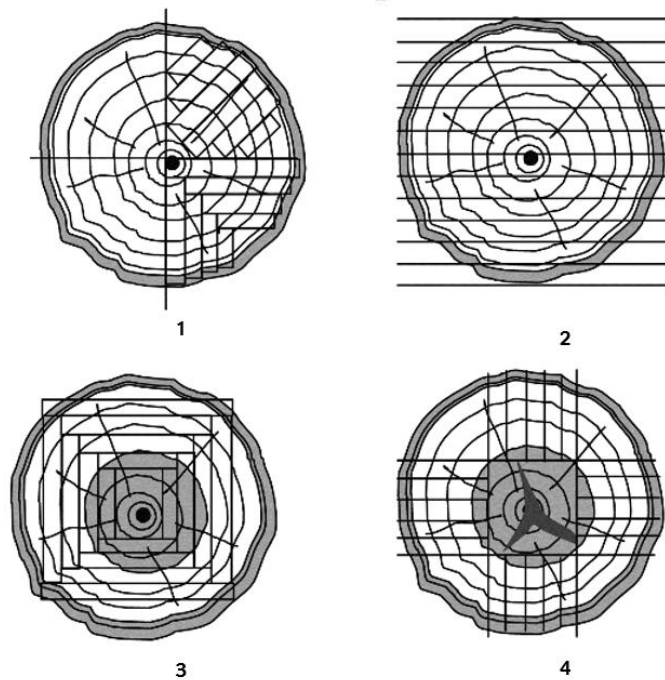


Figure 5

- a. 1
- b. 2
- c. 3
- d. 4

Response: _____

23 Which one of the following would be a fault with a circular saw?

- a. Top guard close to work piece.
- b. Rip fence pulled back during cross cutting.
- c. Lubricant covering the saw bed.
- d. Riving knife thinner than body of the saw blade.

Response: _____

24 A developer is constructing an estate of 70 semi-detached three bedroomed executive houses. Why have the doors and frames been ordered as pre-hung sets?

- a. Doors cannot be hung accurately on site.
- b. It is the cheapest way of sourcing the doors and frames.
- c. Carpenters will not be required to fix the doors and frames.
- d. There is greater quality control of factory produced products.

Response: _____

- 25 The question below consists of a statement and a reason. Identify the comment that correctly relates to these.

Statement

The lowest end of a brace should be positioned on the hanging edge of a framed ledged and braced door

Reason

This will prevent the closing edge from sagging by transferring the weight of the unsupported edge to the hanging side

- a. Statement true reason true.
- b. Statement false reason true.
- c. Statement true reason false.
- d. Statement false reason false.

Response: _____

- 26 The question below consists of a statement and a reason. Identify the comment that correctly relates to these.

Statement

The point of a nail should be blunted when nailing near the end or edge of thin timber.

Reason

The blunted point cuts it way through the fibres of the timber, rather than the wedge shaped point spreading the fibres causing it to split.

- a. Statement true reason false.
- b. Statement false reason true.
- c. Statement true reason true.
- d. Statement false reason false.

Response: _____

The following scenario refers to questions 27 and 28:

An experienced building contractor is constructing a kitchen extension, to a large detached house. There are drawings for building regulations approval but the finishing details are to be agreed between the client and the contractor. The advice and guidance is being sought of the contractor by the customer over the high quality finishes as work progresses.

- 27 The supplied architrave is thinner than the skirting board. What is the best way of jointing their intersection?
- Pack the architrave off the wall to stand proud of the skirting.
 - Chamfer the end of the shirting where it butts against the architrave.
 - Use a plinth block at their intersection slightly thicker than the skirting.
 - Reduce the thickness of the skirting using the available machinery on site.

Response: _____

- 28 Why has a router and worktop jig been recommended to joint the kitchen worktops?
- This method produces seamless joint.
 - Routering is a dust free way of jointing worktops.
 - It is the least expensive way of jointing worktops.
 - They can accommodate jointing out of square corners.

Response: _____

- 29 Circular holes are required in 24 vanity basin tops to accommodate an inset ceramic wash hand basin. Which of the following methods of cutting the holes will produce the most consistent results?
- A jig saw and a trammel bar.
 - A jig saw and a circular templet.
 - A router and a trammel bar.
 - A router and a circular templet.

Response: _____

- 30 The question below consists of a statement and a reason. Identify the comment that correctly relates to these.

Statement

The moisture content for internal joinery should be between 16-20%

Reason

Very little shrinkage and movement will occur at this moisture content range when the central heating is operating.

- a. Statement true reason true.
- b. Statement false reason true.
- c. Statement true reason false.
- d. Statement false reason false.

Response: _____

- 31 The question below consists of a statement and a reason. Identify the comment that correctly relates to these.

Statement

A saw revolving at 35 revolutions /second with saw diameter of 600 mm will have a peripheral speed of 56.556 m/s

Reason

The formula to work out peripheral speed is: circumference of a saw x revolutions / second

- a. Statement true reason true.
- b. Statement false reason true.
- c. Statement true reason false.
- d. Statement false reason false.

Response: _____

Useful contacts

UK learners
General qualification information

E: learnersupport@cityandguilds.com

International learners
General qualification information

E: intcg@cityandguilds.com

Centres
Exam entries, Registrations/enrolment,
Certificates, Invoices, Missing or late exam
materials, Nominal roll reports, Results

E: centresupport@cityandguilds.com

Single subject qualifications
Exam entries, Results, Certification, Missing
or late exam materials, Incorrect exam
papers, Forms request (BB, results entry),
Exam date and time change

E: singlesubjects@cityandguilds.com

International awards
Results, Entries, Enrolments, Invoices,
Missing or late exam materials, Nominal roll

E: intops@cityandguilds.com

Walled Garden
Re-issue of password or username,
Technical problems, Entries, Results, GOLLA,
Navigation, User/menu option, Problems

E: walledgarden@cityandguilds.com

Employer
Employer solutions, Mapping,
Accreditation, Development Skills,
Consultancy

E: business_unit@cityandguilds.com

Publications
Logbooks, Centre documents, Forms, Free
literature

If you have a complaint, or any suggestions for improvement about any of the services that City & Guilds provides, email:
feedbackandcomplaints@cityandguilds.com

Published by City & Guilds
1 Giltspur Street
London
EC1A 9DD
www.cityandguilds.com

City & Guilds is a registered charity
established to promote education
and training