

7906-005/505 Level 2 Architectural Joinery –Sample Questions

Version 1.1 –September 2017

Please note this is not a complete sample theory exam, this document consists of sample questions from across the test specification.

Candidate	Name	Date	DD/MM/YY
-----------	------	------	----------

1 What area of welfare should be considered prior to setting up a construction site?

- a. Toilets.
- b. Offices.
- c. Car parks.
- d. Rubbish bins.

Response:_____

2 Which building element is part of the substructure?

- a. Trussed roof.
- b. Partition wall.
- c. Raft foundation.
- d. Solid ground floor.

Response:_____

3 What is the face of a brick called?

- a. Cross.
- b. Header.
- c. Perpend.
- d. Stretcher.

Response:_____

4 What role does the purlin play in traditional roof construction?

- a. Acts as a spine at the apex.
- b. Forms the shape of the roof.
- c. Protects the end of the roof timbers.
- d. Supports the rafters at midway point.

Response:_____

5 Why should a schedule be used when programming works?

- a. To provide details of the costs of materials and services needed to complete works.
- b. To manage the expected and actual timescales for completion of works.
- c. To communicate the amount of significant work and materials needed to complete works.
- d. To calculate the estimated labour costs of completing the works.

Response:_____

6 What is the most likely purpose of providing a secure perimeter around a construction site?

- a. To keep workers from leaving the site during scheduled work time.
- b. To ensure that the site is not accessed by unauthorised persons.
- c. To reduce noise from impacting the surrounding environment.
- d. To prevent rubbish from polluting the neighbouring areas.

Response:_____

7 What is green core MDF resistant to?

- a. Passage of noise.
- b. Fire.
- c. Insect attack.
- d. Moisture.

Response:_____

8 What is the standard size of a sheet of plywood?

- a. 2000 mm x 1200 mm.
- b. 1800 mm x 900 mm.
- c. 2400 mm x 1200 mm.
- d. 2440 mm x 1220 mm.

Response:_____

9 Which method of timber conversion is the most efficient in both speed and cost?

- a. Through and through.
- b. Quarter sawn.
- c. Tangential.
- d. Boxed heart.

Response:_____

10 What does WBP refer to in relation to plywood?

- a. The timber used.
- b. The adhesive used.
- c. The finished surface.
- d. The number of laminates.

Response:_____

11 What is the defect in Figure 1 known as?

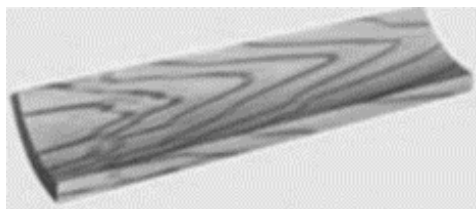


Figure 1

- a. Bowing.
- b. Springing.
- c. Cupping.
- d. Twisting.

Response:_____

12 What is the best method to use to mark out a tenon?

- a. Use a cutting gauge with light pressure applied.
- b. Use a panel gauge with heavy pressure applied.
- c. Use a marking gauge twice, once from each face.
- d. Use a mortice gauge starting with 2 holes in the wood.

Response:_____

13 What is the intermediate horizontal component called in a storey height frame?

- a. Muntin.
- b. Stile.
- c. Transom.
- d. Rail.

Response:_____

14 What moulding shape is shown in Figure 2?

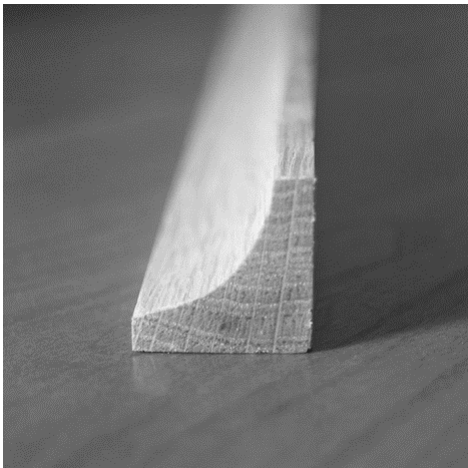


Figure 2

- a. Ovolo.
- b. Scotia.
- c. Bullnose.
- d. Splayed.

Response:_____

15 What joint would be used on the middle rail of a door if a mortice lock position may weaken a standard joint?

- a. Twin tenon.
- b. Stub tenon.
- c. Double tenon.
- d. Bare faced tenon.

Response:_____

16 A loose tongue joint could become exposed on the face of a solid door panel during which operation?

- a. Fielding.
- b. Sanding.
- c. Beading.
- d. Assembling.

Response:_____

17 What is the main piece of legislation covering the safe use of woodworking machinery?

- a. PUWER.
- b. RIDDOR.
- c. COSHH.
- d. HASAWA.

Response:_____

18 What woodworking machine is most likely to have a scoring blade?

- a. Morticer.
- b. Planer.
- c. Dimensioning saw.
- d. Crosscut saw.

Response:_____

19 Which guard is used to cover a cutting block on a surface planing machine?

- a. Crown.
- b. Bonnet.
- c. Bridge.
- d. Tunnel.

Response:_____

20 What is the maximum distance allowed at D, shown in Figure 3?

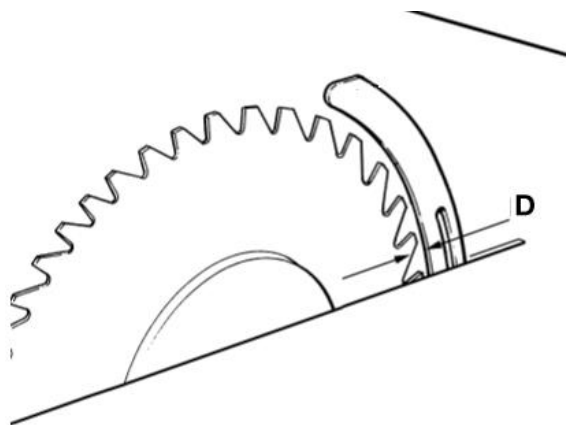


Figure 3

- a. 5 mm.
- b. 8 mm.
- c. 10 mm.
- d. 13 mm.

Response:_____

21 How is a surface planer used?

- a. Bring to thickness first.
- b. Bring to width first.
- c. Edge first.
- d. Face first.

Response:_____

22 What is used to set a hollow chisel to the fence?

- a. Rule.
- b. Square.
- c. Gauge lines.
- d. A pre-cut mortice.

Response:_____

23 30 mm timber is to be ripped using a dimensioning saw with the blade canted to 45 degrees. What will have to be done with the fence?

- a. It will be pulled right back and locked.
- b. It will be pulled forward and left loose.
- c. The fence will be laid flat so the blade doesn't touch it.
- d. The fence will be set to 45 degrees along its length.

Response:_____

24 What is the purpose of a feather board in relation to profiling machines?

- a. Slow down the feed speed.
- b. Provide guarding.
- c. Prevent kick-back.
- d. Provide extraction.

Response:_____

25 What adjustment would need to be made to the tooling in a morticer when cutting resinous timber?

- a. Loosen chisel.
- b. Use a smaller auger.
- c. Increase auger clearance.
- d. Push auger tight into chisel.

Response:_____

- 26 What must always be checked before starting a profiling machine after changing tooling?
- a. The cutter is not hitting the fence or bed.
 - b. The brake is working.
 - c. The extraction bags are empty.
 - d. The guard is removed.

Response:_____

- 27 What would be used in conjunction with a saw to rip material for glue blocks?
- a. Jig.
 - b. Saddle.
 - c. Push block.
 - d. Negative hook blade.

Response:_____

- 28 What is indicated by X on the drawing, shown in Figure 4?

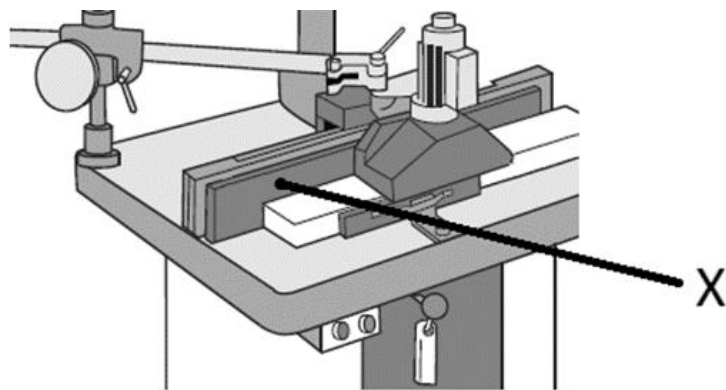


Figure 4

- a. Finger fence.
- b. False fence.
- c. Feather board.
- d. Saddle board.

Response:_____

- 29 You have been asked to manufacture a standard flight of stairs for a new build house, this has already been set out. A final check of the setting out identified a problem. The measurements for the tread including nosing is 216 mm. The rise is 200 mm. It is 800 mm wide from string to string.

What is the problem?

- a. The stair does not meet the 2R+G rule.
- b. The stair is too narrow.
- c. The stair pitch is incorrect.
- d. The stair is too wide.

Response:_____

- 30 You have been asked by a client to replace a traditional single glazed front door which is 45mm thick to a double glazed door of a similar design.

Which one of the following statements is true?

- a. The door frame will not need replacing and the glazing rebate will remain the same.
- b. The door frame will have to be replaced, and the glazing rebate will be deeper.
- c. The door frame will have to be replaced, and the door will become taller.
- d. The door frame will not need replacing and the door will become wider.

Response:_____

- 31 You have been asked to make 3 bespoke door linings for a client who is currently having an extension built. The finished size of the material is 22 mm x 245 mm. The client wishes to use timber from a very large old oak tree that recently fell down in the garden. The tree is 700 mm in diameter, and there is access to a local sawmill to cut the trunk into the required sawn sizes.

What is the best advice you could give to the client?

- a. Ensure the timber is cut quarter sawn to ensure the best figure in the timber.
- b. Be careful when cutting as the centre of the tree may be unusable due to rot and there may well be a lot of waste.
- c. Not to use the tree as the timber will be green and unsuitable for joinery.
- d. Wide timber is more likely to cup and the thickness of the lining should be increased.

Response:_____

- 32 A customer wants an external panelled door to be made. The door is to be painted, and will be in an exposed position close to the sea, open to the elements. The client has a limited budget.

What materials would be most appropriate for the client's needs?

- a. Oak with solid oak panels.
- b. Softwood pressure treated with WBP ply panels.
- c. Beech with WBP ply panels.
- d. Ash with moisture resistant MDF panels.

Response: _____

- 33 You have been asked to make an 8 pane glazed internal door, 4 panes in height, 2 panes in width. There is no middle rail. It has been specified that the glazing bars will be jointed at the intersections using tenons and scribes.

What would be the best design for the bars?

- a. The vertical glazing bar in one piece running from top to bottom with the horizontal bars tenoned into it throughout its length and with a stub tenon at each end.
- b. The vertical glazing bar in one piece running from top to bottom with the horizontal bars tenoned into it throughout its length and with a wedged tenon at each end.
- c. The horizontal bars running through with the vertical bar cut into shorter pieces joining into the horizontal bar. The horizontal bar has stub tenons that are glued in.
- d. The horizontal bars running through with the vertical bar cut into shorter pieces joining into the horizontal bar. The horizontal bar has stub tenons that are star doweled or pinned.

Response: _____

- 34 You have been asked to make a replacement 45mm thick FLB door. The specification requires that the 13mm boards end at the bottom edge of the door. The top rail and stiles are 95mm wide, and the mid and bottom rails are 195mm wide.

Which **one** of the following statements is true?

- a. The bottom rail will be 45mm thick and be jointed using a double haunched mortice and tenon with stepped shoulders.
- b. The bottom rail will be 32mm thick and be jointed using a bare faced double haunched mortice and tenon joint.
- c. The bottom rail will be 32mm thick and be jointed using a double haunched mortice and tenon with stepped shoulders.
- d. The bottom rail will be 45mm thick and be jointed using a bare faced double haunched mortice and tenon joint.

Response: _____

- 35 A client wishes a new door to be made with 95mm x 45mm stiles to match existing doors. Currently there is a door knob located in the middle rail area. The client has requested the door knob and latch to be placed higher on the door.

Which of the below should the client be made aware of?

- a. Twin tenons will need to be used in the middle rail.
- b. The stile width would have to be increased.
- c. A rim lock will be needed instead of a latch.
- d. The middle rail width will need to be decreased.

Response: _____

Useful contacts

UK learners
General qualification information

E: learnersupport@cityandguilds.com

International learners
General qualification information

E: intcg@cityandguilds.com

Centres
Exam entries, Registrations/enrolment,
Certificates, Invoices, Missing or late exam
materials, Nominal roll reports, Results

E: centresupport@cityandguilds.com

Single subject qualifications
Exam entries, Results, Certification, Missing
or late exam materials, Incorrect exam
papers, Forms request (BB, results entry),
Exam date and time change

E: singlesubjects@cityandguilds.com

International awards
Results, Entries, Enrolments, Invoices,
Missing or late exam materials, Nominal roll
reports

E: intops@cityandguilds.com

Walled Garden
Re-issue of password or username,
Technical problems, Entries, Results, GOLLA,
Navigation, User/menu option, Problems

E: walledgarden@cityandguilds.com

Employer
Employer solutions, Mapping,
Accreditation, Development Skills,
Consultancy

E: business_unit@cityandguilds.com

Publications
Logbooks, Centre documents, Forms, Free
literature

If you have a complaint, or any suggestions for improvement about any of the services that City & Guilds provides, email:
feedbackandcomplaints@cityandguilds.com

Published by City & Guilds
1 Giltspur Street
London
EC1A 9DD
www.cityandguilds.com

**City & Guilds is a company registered
in England and Wales (company
number 16513878)**