

T Level Technical Qualification in Onsite Construction

**Carpentry and Joinery
(8711-36) (306)**

Candidate Pack

Practical Assignment - Sample

Contents

Assessment.....	3
Candidate guidance	4
Assignment brief.....	6
Tasks	10
Task 1 - Prepare and plan for the production of complex timber-based products.....	10
Task 2 - Produce complex timber-based products.....	12
Task 3 - Assemble and finish complex timber-based products	13
Task 4 - Install complex timber-based products and components.....	14

SAMPLE

Version and date	Change detail	Section
1.1 Jan 2021	Removal of “use of hand and power tools machines “ in what must be produced for marking	Task specific guidance – Additional evidence of candidate performance that must be captured for marking: Assessor Observation Task 2 Pg.12

SAMPLE

Assessment

This assessment is for the Carpentry and Joinery occupational specialism component of the Technical Qualification. This pack consists of a practical assignment that includes a project brief including drawing and diagrams as necessary along with several tasks for you to complete.

SAMPLE

Candidate guidance

General guidance

This is a formal assessment that you will be marked and graded on. You will be marked on the quality and accuracy of the work you produce. It is therefore important that you carry your work out to the highest standard you can.

Plagiarism

This is an assessment of your abilities, so the work must be all your own work and carried out under the conditions stated. You will be asked to sign a declaration that you have not had any help with the assignment.

Your tutor is allowed to give you some help understanding the instructions if necessary, but they will record any other guidance you need, and this will be taken into account during marking.

Plagiarism is the failure to acknowledge sources properly and/or the submission of another person's work as if it were your own. Plagiarism is not allowed in this project.

Where research is allowed, your tutor must be able to identify which work you have done yourself, and what you have found from other sources. It is therefore important to make sure you acknowledge sources used and clearly reference any information taken from them.

Timings and planning

You are advised to study the details of the assessment before starting.

You should check with your tutor that you have all the relevant materials, equipment and information/data sources that you need before starting the assessment.

You should take care when planning to make sure you have divided the time available between parts of the assignment tasks appropriately. Timings for tasks are provided within this pack to support with planning and time allocation.

If you have a good reason for needing more time, you will need to explain the reasons to your tutor and agree a new deadline date. Changes to dates will be at the discretion of the tutor, and they may not mark work that is handed in after the agreed deadlines.

If you have a good reason for needing more time, you will need to explain the reasons to your tutor, and this must be agreed by City & Guilds.

Health and Safety

You must always work safely, in particular while you are carrying out practical tasks.

You must always follow any relevant Health and Safety regulations, Risk Assessments and codes of practice in line with centre requirements.

If your tutor sees you working in a way that is unsafe for yourself or others, they will highlight the issue and ask you to stop the task immediately. Your tutor will not be able to reassess you until they are sure you are ready for assessment and can work safely.

Presentation of work

Presentation of work must be appropriate to the task.

You should make sure that each piece of evidence including any forms are clearly labelled with your name and the project reference.

All electronic files must be given a clear file name that allows your tutor to identify it as your work.

Written work may be word-processed or handwritten unless stated otherwise.

All sketches and drawings should be neat and tidy, to scale and annotated.

Calculations should be set out clearly, with all working shown, as well as any assumptions made. You should use appropriate units at all times, consistent with the requirements of the assignment.

Instructions for this assignment

Ensure you read all the provided assessment information contained in this candidate pack. You must work independently and not share your work with any other candidates in these supervised assessment sessions.

Your work will be kept secure during any supervised breaks that are taken. Internet access is not allowed.

You must complete all the tasks and present all evidence that is detailed in each task. This candidate booklet contains:

- An assignment brief
- Task 1
- Task 2
- Task 3
- Task 4

Within each task you will find the following:

Conditions of assessment: This will tell you the duration and rules you must follow when completing a task.

What must be produced for marking: This describes the evidence you must submit when the task is completed. Be aware failure to submit any evidence requested can adversely affect your overall mark for the assessment.

Additional evidence for this task: This describes other forms of evidence that will be collected by the assessor to support the marking of your performance. This will often include but not limited to photographic and video evidence.

Assignment brief

You are employed by Wood You Rather Ltd; a local carpentry and Joinery company and you have been commissioned to complete the carpentry and joinery tasks as part of the conversion of a disused church.

It is a large multi – trade project and you will be liaising directly with the project manager on the brief requirements.

The church will have a small lean-to extension to the rear elevation. The lean-to extension will have a cut roof where a small direct glazed dormer window will be incorporated into it.

The window needs to be gothic arched and glazed with a “slim” double glazed unit for conservation purposes as specified by the architect.

The dormer will receive a lead covering, with plywood cheeks and face, this will be carried out by the lead working company following the completion of your work.

You are required to make the window, construct the roof up to fixing the flat roof decking to the dormer but not the plywood cheeks or shaped facade.

You will then fix the window into the dormer.

You have been commissioned four days (27 hrs) to complete the work, and the project manager has provided the following specification requirements:

A) You are required to make and fit a gothic arched window

Gothic arch window specifications:

- The window has an equilateral gothic arched head and needs to direct glazed single pane (design detail provided in Figure 1 – not to scale)
- The section size of the frame is 69mm x 44mm
- The section size of the subcill is 95mm x 45mm (detail provided in Figure 3)
- The joinery must have a sanded finish, ready for decorative finish

Design detail and relevant dimensions for the gothic arched window are shown in Figures 1, 2 and 3 on the following page.

Figures for the assignment brief requirements:

Figure 1: Gothic arched window (with dimensions)

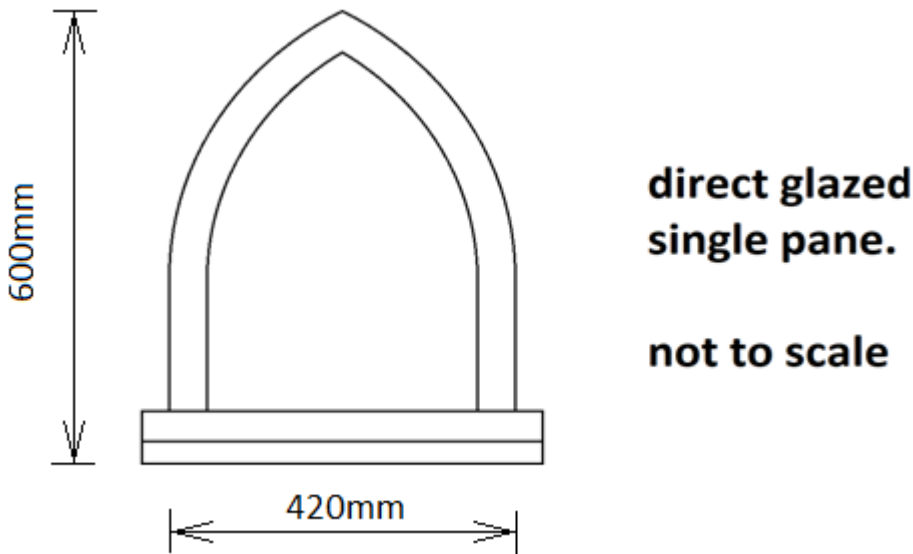


Figure 2: Window section (with dimensions)

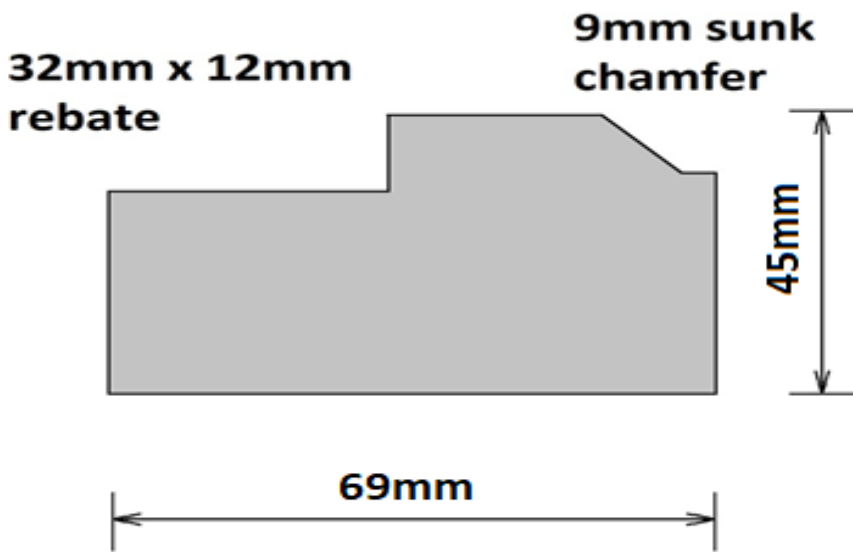
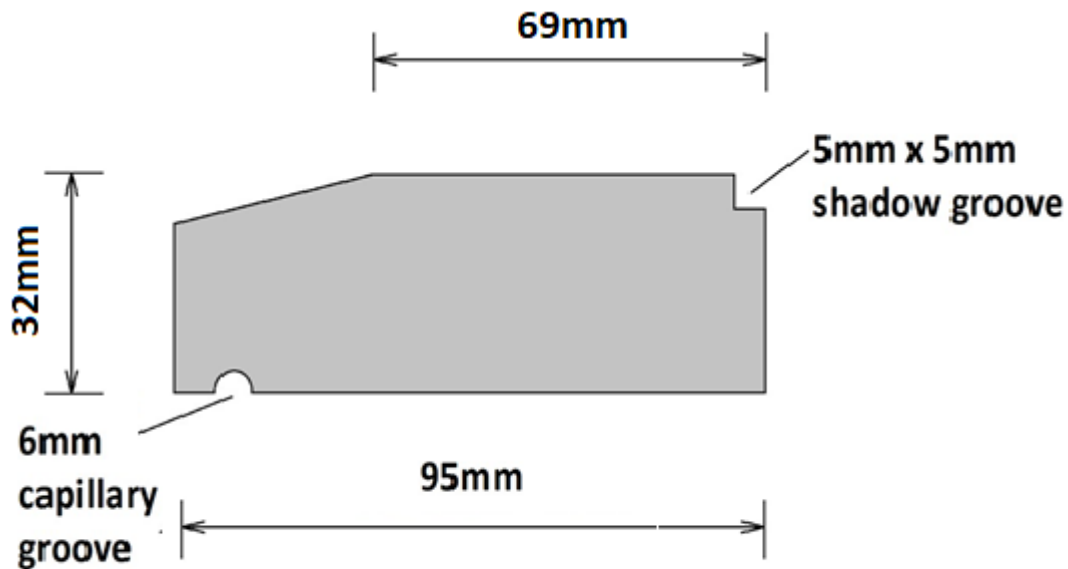


Figure 3: Subcill section; pre-machined (with dimensions)

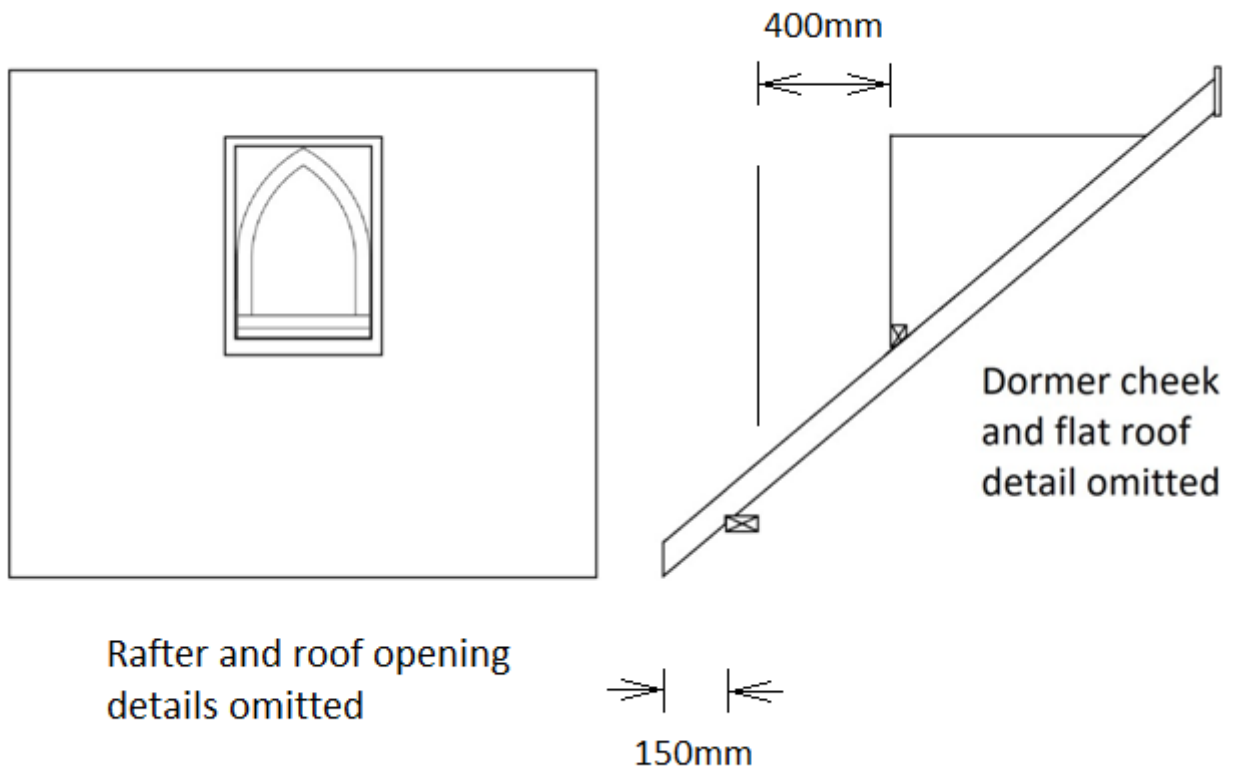


B) You are also required to construct the section of lean-to roof including the dormer.

Roof specifications:

- The roof on the extension has a pitch of 40 degrees
- The roof is to be made from EX 100mm x 50mm, rafters at 400mm centres, the roof run requires measurement to be taken
- The roof on the extension has a small flat roofed dormer (as per planning permission) to provide natural light to a small en-suite.
- The dormer is to be made to the minimum size that will accommodate the window
- The dormer framework is to be constructed from EX 75mm x 50mm
- The dormer will be centrally placed along the width of the roof
- You are required to create the remaining roof design including roof opening and trimming details as well as dormer cheek design utilising the dimensions provided in the specification

Figure 4 – Roof and dormer



This assignment has a time allocation of 27 hours. You should plan your time to complete all the tasks.

SAMM

Tasks

Task 1 - Prepare and plan for the production of complex timber-based products

Your assessor will provide you with a specific working area and approximate maximum, and minimum dimensions as per the specification. Your work plan must be applicable to the area you are being assessed in.

- a) **Plan for the carpentry and joinery work of a disused church**
- b) **Set out and produce head templates for the window and pattern rafter for the roof construction**
- c) **Communicate the rod detail to the project manager**

Conditions of assessment:

- The time allocated is 7 hours
- You must carry out the task on your own, under controlled conditions

What must be produced for marking:

- Method statement
- Risk assessment
- Material list also containing tools and equipment
- Cutting/component list
- Setting out rod, cutting and components list and head templates of window
- Setting out wall plate and ridge board/ produce pattern rafter ready for roof construction
- Site measurements establishing the run of the roof, calculations of lengths and angles and quantity of materials required
- Communicate/present the rod detail prior to manufacture

You will be provided with templates to complete the Method Statement, Risk Assessment, Material list and Cutting/component list.

The assessor will act as the project manager during the presentation and record any feedback on the assessor feedback form.

The communication of the rod detail should **not** exceed 15 minutes.

Additional evidence for this task:

- Assessor observations
 - Measurements of the site location/work area to be confirmed by the assessor through observation at the start of the planning activity.
 - Head template of the window prior to manufacture - observations to include working with tolerances
 - Pattern rafter ready for the roof construction - observations to include working with tolerances
 - Rod production and presentation of the rod detail to the project manager

SAMPLE

Task 2 - Produce complex timber-based products

You will be provided with your plans from task 1 at the beginning of this assessment.

You are required to complete the work as described in the assignment brief specifications, for the production of components for the gothic arched window and cut roof

Conditions of assessment:

- The time allocated is 10 hours
- You must carry out the task on your own, under controlled condition

What must be produced for marking:

- Jointed and moulded window components ready for assembly
- First common rafter for main roof

Additional evidence for this task:

- Assessor observations
 - Marking out (face marks, mortice/shoulder lines, gauging lines) - observations to include working with tolerances
 - Jointed components, joints prior to dry fitting (shoulder lengths, and in comparison, to marking out) - observations to include working with tolerances
 - Rafter construction, start, during and at end - observations to include working with tolerances
- Assessor photographic/video evidence at various stages to show candidates progress against the task
 - Photographic evidence of jointed components, joints prior to dry fitting (shoulder lengths, and in comparison, to marking out)
 - Video evidence of production of rafter construction at the start and toward its completion
 - Photographic evidence of completed rafter construction

Task 3 - Assemble and finish complex timber-based products

You are required to complete the work as described in the assignment brief specifications, for the assemble and finish of the gothic arched window and roof.

Conditions of assessment:

- The time allocated is 8 hours
- You must carry out the task on your own, under controlled conditions

What must be produced for marking:

- Finished gothic arched window ready for decorative finish
- Roof complete with dormer ready for window to be fitted

Additional evidence for this task:

- Assessor observations

Window:

- The finished gothic arched window for quality of finish - observations to include working with tolerances

Roof:

- The finished roof for quality of finish - observations to include working with tolerances
- Assessor photographic/video evidence at various stages to show candidates progress against the task

Window:

- Video evidence of the gothic arched window in construction and at completion with quality of finish shown
- Photographic evidence of finished faces, including inside faces
- Photographic evidence of faces and all joints of the window showing fit of joints

Roof:

- Video evidence of the roof in construction and at completion with quality of finish shown
- Video evidence of dormer in construction and at completion with quality of finish shown
- Photographic evidence of roof showing fit of rafters' top and bottom

Task 4 - Install complex timber-based products and components

You are required to complete the work as described in the assignment brief specifications, for the installation of the gothic arched window to the dormer.

Conditions of assessment:

- The time allocated is 2 hours
- You must carry out the task on your own, under controlled conditions

What must be produced for marking:

- Gothic arch window fitted to dormer opening

Additional evidence for this task:

- Assessor observations
 - Gothic arch window fitted to dormer - observations to include working with tolerances
- Assessor photographic/video evidence at various stages to show candidates progress against the task:
 - Photographic evidence of horns cut off and finish to the ends
 - Video evidence of gothic arched window fitting into the dormer
 - Photographic evidence showing plumb and level of window fitting into the dorm

End of Assessment

SAMPLE

Copyright in this document belongs to, and is used under licence from, the Institute for Apprenticeships and Technical Education, © 2020.

'T-LEVELS' is a registered trade mark of the Department for Education.

'T Level' is a registered trade mark of the Institute for Apprenticeships and Technical Education.

'Institute for Apprenticeships & Technical Education' and logo are registered trade marks of the Institute for Apprenticeships and Technical Education.