

T Level Technical Qualification in Onsite Construction) (8711)

Onsite Construction Core (8711-30) - Theory exam (1) (8711-031)

Question Paper

If provided, stick your candidate barcode label here.

Date of exam (TBC)
Duration (2 hours)

Candidate name (first, last)

First

Last

Candidate enrolment number

Date of birth (DDMMYYYY)

Gender (M/F)

Assessment date (DDMMYYYY)

Centre number

Candidate signature/declaration*

- If additional answer sheets are used, enter the additional number of pages in this box.

- Before taking the examination, **all candidates** must check that their barcode label is in the appropriate box. Incorrectly placed barcodes may cause delays in the marking process.

- Please ensure that you staple additional answer sheets to the back of this answer booklet, clearly labelling these with your full name, enrolment number, centre number and qualification number in BLOCK CAPITALS.

- All candidates need to use a **black/blue** pen. **Do not** use a pencil or gel pen, unless otherwise instructed.

- If provided with source documents, these documents **will not** be returned to City & Guilds and will be shredded. Do not write on the source documents.

- ***I declare that I had no prior knowledge of the questions in this examination and that I will not divulge to any person any information about the questions.**

General instructions

- Use black or blue ball-point pen.
- The marks for questions are shown in brackets.
- This examination contains **22** questions. Answer **all** questions.
- Answer the questions in the spaces provided. Answers written in margins or on blank pages will **not** be marked.
- Cross through any work you do not want to be marked.

The exam has been split into **two** sections.

Below details the types of questions and marks available for each section. Please allow time for each section accordingly.

Section A is made up of **60** marks and includes **18** low tariff and medium tariff, short answer questions, which target recall of knowledge, demonstration of understanding **and** application of knowledge and understanding.

Section B is made up of **30** marks and includes **3** extended response questions, which target application of knowledge and understanding **and** analysis and evaluation of information and issues.

Section A

1. A construction operative is required to keep up to date with safety issues specifically related to working in construction.

State **two** types of CPD that could fulfil this.

[2 marks]

.....

.....

.....

.....

2. State **two** methods of tendering for a project.

[2 marks]

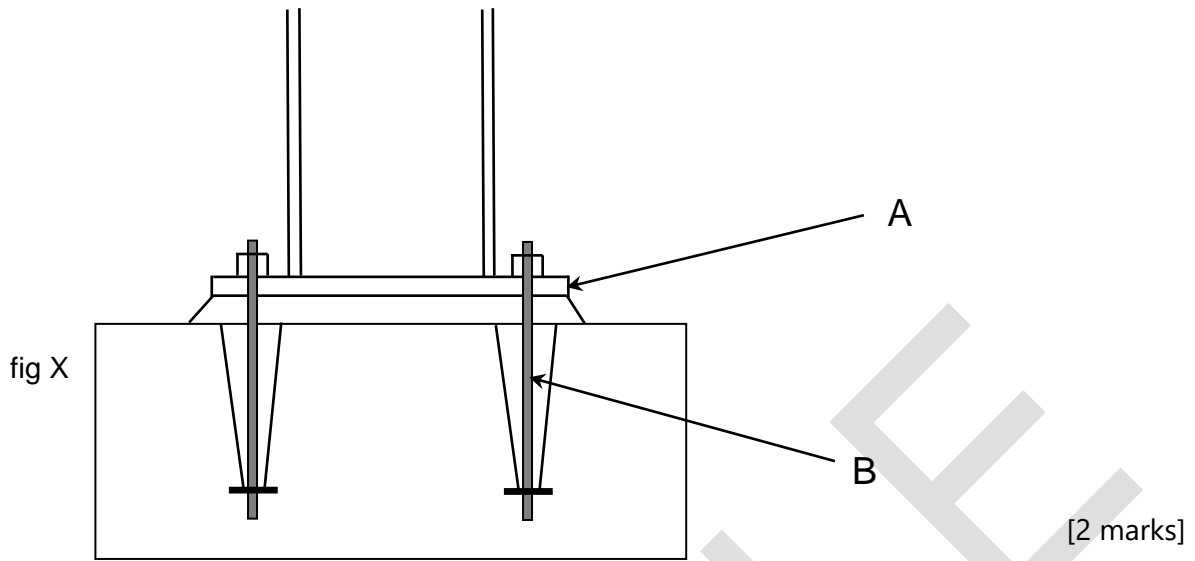
.....

.....

.....

.....

3. Name parts A and B of the foundation connection in fig X



.....

.....

.....

.....

4. Construction work can result in the production of waste materials that are considered to be hazardous and therefore require specialist measures when disposing of them.

Identify **three** materials where this is required.

[3 marks]

.....

.....

.....

5. Give **three** examples of safe working procedures that aim to promote and support safety conscious behaviours within a construction environment.

[3 marks]

.....

.....

.....

.....

.....

.....

6. You are contracted to assist in the refurbishment of a grade II listed building.

State the **two** main cost factors that would need to be consider during the planning and design stage of the refurbishment.

[2 marks]

.....

.....

.....

.....

7. Give **two** examples of the purpose of the Environmental Protection Act in dealing with controlled waste.

[2 marks]

.....

.....

.....

.....

8. Explain **two** responsibilities of a Local Authority Planning Officer once planning permission has been submitted.

[4 marks]

.....

.....

.....

.....

.....

.....

.....

.....

.....

9. Explain **two** benefits of using Business Information Modelling (BIM) for teams working on the same project.

[4 marks]

.....

.....

.....

.....

.....

.....

.....

.....

10. Describe **two** methods of establishing whether a construction project requires building regulations approval.

[2 marks]

.....

.....

.....

.....

11. What advantages are there in using an integrated supply chain on construction projects?

[4 marks]

.....

.....

.....

.....

.....

.....

.....

.....

.....

.....

12. State **one** benefit of off-site construction. Give an explanation of your answer.

[2 marks]

.....

.....

.....

.....

13. A small domestic dwelling is to be built on land with a good bearing capacity.

Suggest the most suitable type of foundation that would be used for this project, giving a detailed explanation or your recommendation

[6 marks]

.....

.....

.....

.....

.....

.....

.....

.....

.....

14. A client has decided to build using structural insulated panels (SIPS) rather than more traditional methods of construction.

Explain the advantages of using this method.

[4 marks]

.....

.....

.....

.....

.....

.....

.....

.....

.....

Handwriting practice sheet with 20 horizontal dotted lines.

SAMPLE

Handwriting practice sheet with 20 horizontal dotted lines.

SAMPLE

Handwriting practice sheet with 20 horizontal dotted lines.

SAMPLE

End of Assessment

SAMPLE

SAMPLE

Copyright in this document belongs to, and is used under licence from, the Institute for Apprenticeships and Technical Education, © 2020.

'T LEVELS' is a registered trade mark of the Department for Education.

'T Level' is a registered trade mark of the Institute for Apprenticeships and Technical Education.

'Institute for Apprenticeships & Technical Education' and logo are registered trade marks of the Institute for Apprenticeships and Technical Education.